



Ecolite LED heliport lighting systems are designed to provide effective visibility to heliports for the pilot at night and during poor visibility according to ICAO Annex 14 regulation.

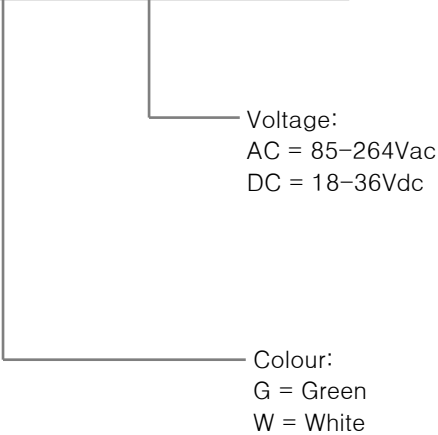
TLOF/FATO INSET PERIMETER LIGHT

This product is used in heliport Touchdown and Lift-Off Area (TLOF) and Final Approach and Take off Area (FATO) at night or daytime with poor visibility, with green or white LED light to accurately indicate the threshold of taking off and landing area.



ORDERING CODE

HL-IPL-[Colour]-[Voltage]



TECHNICAL SPECIFICATIONS

Effective light intensity	≥ 55 cd (Green) for TLOF ≥ 100 cd (White) for FATO
Light source	LED, steady burning
Lifetime	100,000 hours
Power consumption	≤ 10W
Emitting colour	Green or White
Protection index	IP68
Operating temperature	-40° C to +70° C
Surge protection	Built in
Standards compliance	ICAO Annex 14 Volume II

DIMENSIONS

Overall dimension (mm)	Ø 196 x 140 (H)
Installation dimension (mm)	Ø 200 x 145
Weight	4.5 kg

