



LIA-LED-AX

Low intensity Type A

This low intensity red LED obstruction lighting system designed to meet ICAO low intensity Type A and CAAM DCA/L/A requirements and typically used on structures lower than 45m to provide safety marking for buildings, chimneys, cranes, telecom towers and bridges visible to passing aircrafts. They are available in both single and double configurations.

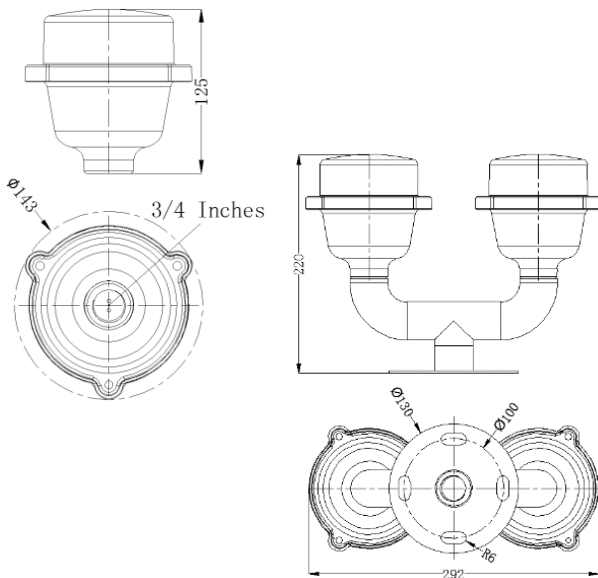
Double light was configured to duty and standby mode configuration. One main light is in operation, the second light is a security spare light automatically switching on in case of failure of the main light.



DIMENSIONS

	Single light	Double light
Overall dimension (mm)	Ø 143 x 125 (H)	292 (L) x 130 (W) x 220 (H)
Installation dimension (mm)	-	Ø 100 x M10
Threaded bottom hub mounting	To suit 3/4" Ø Dia. Pipe	-
Weight	1kg	3kg

- Light intensity 10cd (Type A)
- ICAO low intensity Type A and CAAM DCA/L/A standards compliance
- LED technology
- Low power consumption
- Waterproof IP65
- Integrated with photocell



TECHNICAL SPECIFICATIONS

Effective light intensity	≥ 10 cd
Lifetime	100,000 hours
Power consumption	≤ 3W
Operating temperature	-40° C to +60° C
Protection Index	IP65
Light source	LED, steady burning
Wind resistant	80m per second
Base material	Cast aluminium
Lens	UV stabilised polycarbonate
Photocell	Built in
Surge protection	Built in
Standards compliance	ICAO low intensity type A CAAM DCA/L/A

ORDERING CODE

Reference	Colour	Light fixture	Light intensity	Voltage	Vertical beam spread	Horizontal beam spread
LIA-LED-AX-230-1	Red	Single	≥ 10 cd	85-264Vac	10°	360°
LIA-LED-AX-230-2	Red	Double	≥ 10 cd	85-264Vac	10°	360°
LIA-LED-AX-48-1	Red	Single	≥ 10 cd	48Vdc	10°	360°
LIA-LED-AX-48-2	Red	Double	≥ 10 cd	48Vdc	10°	360°