



MIA-SP-LED-AH80

Solar powered medium intensity Type A

This medium intensity LED obstruction lighting system designed to meet ICAO medium intensity Type A, FAA L-865 and CAAM DCA/M/A requirements and typically used on structures between 45m to 150m above ground level to provide safety marking for high rise buildings such as skyscrapers, chimneys, cranes, telecom towers, wind turbines and bridges visible to passing aircrafts.

This medium intensity obstruction light is an integrated lighting system includes a high-efficiency LED light source, solar panels and battery.



ACCESSORIES

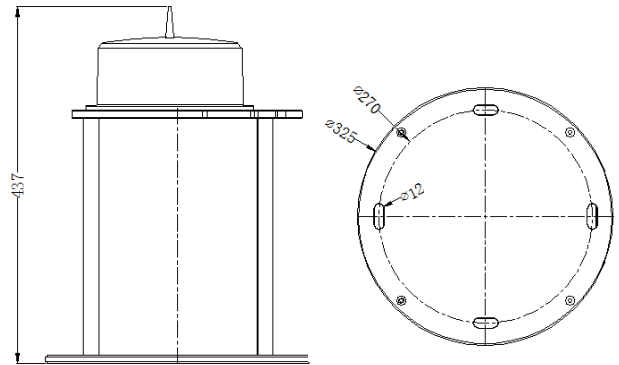
- GPS module for multiple lights wireless synchronisation in option

TECHNICAL SPECIFICATIONS

| | |
|---------------------------|---|
| Effective light intensity | 2,000cd (Night) 20,000cd (Day) |
| Lifetime | 100,000 hours |
| Power consumption | ≤ 30W |
| Operating temperature | -40° C to +70° C |
| Protection Index | IP68 |
| Autonomy | 15 days |
| Solar panel | 16.5V monocrystalline silicon 8W x 4pcs |
| Battery | Sealed lead acid 12V 24Ah |
| Wind resistant | 80m per second |
| Base material | Cast aluminium |
| Lens | UV stabilised polycarbonate |
| Photocell | Built in |
| Surge protection | Built in |
| Standards compliance | ICAO medium intensity type A FAA L-865 CAAM DCA/M/A |

DIMENSIONS

| | |
|-----------------------------|-----------------|
| Overall dimension (mm) | Ø 325 x 437 (H) |
| Installation dimension (mm) | Ø 270 x M8 |
| Weight | 13 kg |



ORDERING CODE

| Reference | Colour | | Light intensity | | Beam spread | | Flashes per minutes |
|-----------------|--------|-------|-----------------|---------|-------------|------------|---------------------|
| | Day | Night | Day | Night | Vertical | Horizontal | |
| MIA-SP-LED-AH80 | White | White | 20,000cd | 2,000cd | > 3° | 360° | 40 |

