



## MIAB-SP-LED-DC120

### Dual colour solar powered medium intensity Type A+B

This medium intensity LED obstruction lighting system designed to meet ICAO medium intensity Type A+B, FAA L864 + L-865 and CAAM DCA/M/A-B requirements and typically used on structures between 45m to 150m above ground level to provide safety marking for high rise buildings such as skyscrapers, chimneys, cranes, telecom towers, wind turbines and bridges visible to passing aircrafts.

This medium intensity obstruction light is an integrated lighting system includes a high-efficiency LED light source, solar panels and battery.



#### ACCESSORIES

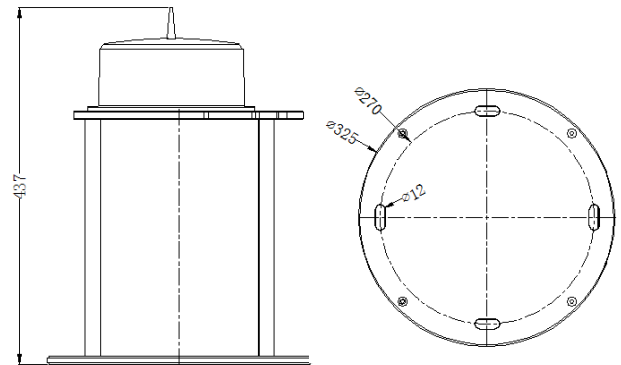
- GPS module for multiple lights wireless synchronisation in option

#### TECHNICAL SPECIFICATIONS

Effective light intensity	2,000cd (Night) 20,000cd (Day)
Lifetime	100,000 hours
Power consumption	≤ 30W
Operating temperature	-40° C to +70° C
Protection Index	IP68
Autonomy	15 days
Solar panel	16.5V monocrystalline silicon 8W x 4pcs
Battery	Sealed lead acid 12V 24Ah
Wind resistant	80m per second
Base material	Cast aluminium
Lens	UV stabilised polycarbonate
Photocell	Built in
Surge protection	Built in
Standards compliance	ICAO medium intensity Type A+B FAA L-864 + L-865 CAAM DCA/M/A-B

#### DIMENSIONS

Overall dimension (mm)	Ø 325 x 437 (H)
Installation dimension (mm)	Ø 270 x M8
Weight	13 kg



#### ORDERING CODE

Reference	Colour		Light intensity		Beam spread		Flashes per minutes
	Day	Night	Day	Night	Vertical	Horizontal	
MIAB-SP-LED-DC120	White	Red	20,000cd	2,000cd	> 3°	360°	40

